



**BEAMZ**  
**MADE**  
**EAZY**

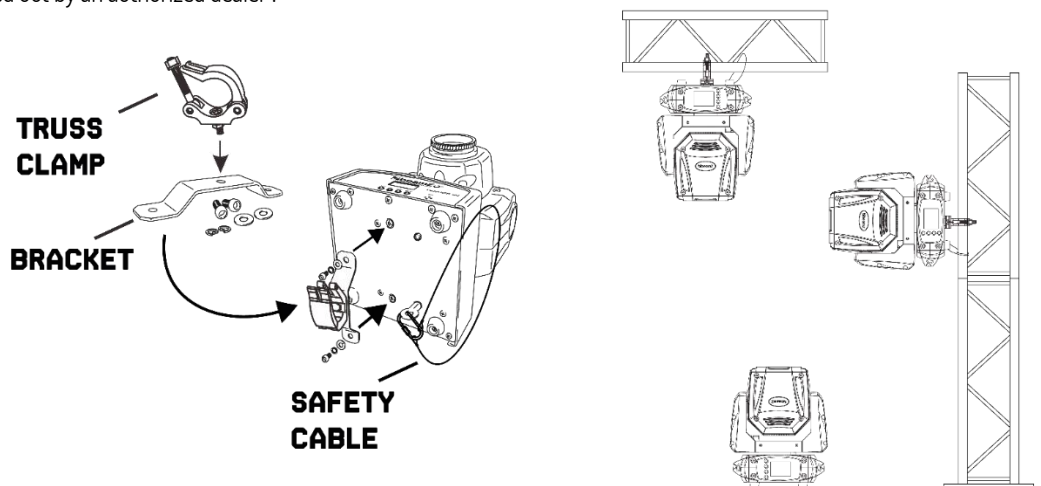
150.508 V1.2

**MHL75 MOVING HEAD**  
**QUICK **START** GUIDE**

## RIGGING

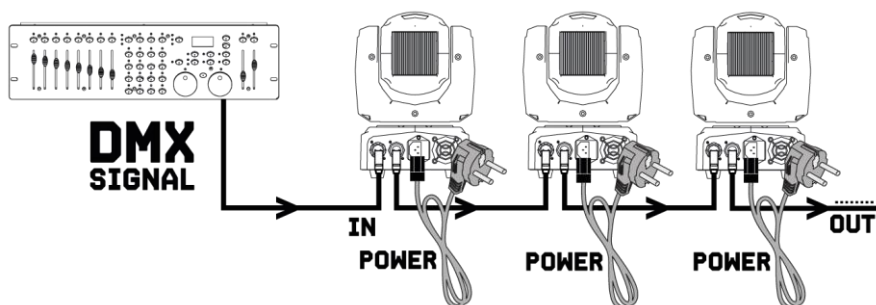
The unit may be set up on a stable and even surface. By means of the fixing facilities of the baseplate, the unit can also be mounted upside down to a truss, see below picture. For fixing, certified clamps with correct safe working load are required. According to the figure, the quick lock bolts of the omega brackets are placed into the openings provided in the base plate and turned clockwise until they lock (to the stop). The mounting place must be of sufficient stability and be able to support a weight of 10 times of the unit's weight. Secure the unit with a safety cable so that it cannot fall down.

When carrying out any installation, always comply European and national guidelines concerning rigging, truss and all other safety issues. Always let the installation checked out by an authorized dealer!

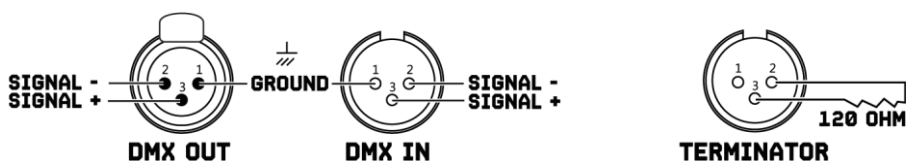


## DMX512 CONTROL

If you are using a standard DMX controller, you can connect the DMX output of the controller directly to the DMX input of the first unit in a DMX chain. Always connect the output of one unit with the input of the next unit until all units are connected.



**CAUTION!** At the last unit, you must close the DMX line with a terminating resistor. Take an XLR connector and solder a 120 Ohm resistor between signal (-) and signal (+) and connect it to the DMX output of the last unit in the line.



## CONTROL MENU

MENU		DESCRIPTION
ADDR	A000-A512	DMX address setting
RPAN	Yes	Revers Pan movements
	No	
RTIL	Yes	Revers Tilt movements
	No	
AUTX	AUT0-AUT3	Select auto program
	SP00-SP99	Select speed
SOUX	SOU1-SOU2	Select sound program
	SE00-SE99	Select speed
RESET		Reset

# DMX CHANNELS

CHANNEL	FUNCTION	VALUE	DESCRIPTION
1	PAN	000-255	Movement 0°-540°
2		000-255	Fine movement
3	TILT	000-255	Movement 0°-270°
4		000-255	Fine movement
5	Speed	000-255	Fast to slow
6	Master dimmer	000-255	Dimmer 0-100%
7	Spot dimmer	000-255	Dimmer 0-100%
8	Spot strobe	000-255	Slow to fast
9	Colourwheel	000-015	White
		016-023	White / Red
		024-031	Red
		032-039	Red / Green
		040-047	Green
		048-055	Green / Blue
		056-063	Blue
		064-071	Blue / Yellow
		072-079	Yellow
		080-087	Yellow / Magenta
		088-095	Magenta
		096-103	Magenta / Orange
		104-111	Orange
		112-127	Orange / White
		128-255	Colour rotation slow to fast
10	Gobo	000-015	Open
		016-031	Gobo 1
		032-047	Gobo 2
		048-063	Gobo 3
		064-079	Gobo 4
		080-095	Gobo 5
		096-111	Gobo 6
		112-127	Gobo 7
		128-255	Gobo rotation slow to fast
11	Wash colour	000-255	Red 0-100%
12		000-255	Green 0-100%
13		000-255	Blue 0-100%
14		000-255	White 0-100%
15	Wash strobe	000-255	Slow to fast
16	Special	000-009	No function
		010-199	Spot strobe, wash colour change (Ch4 on 255)
		200-239	Stop
		240-255	Auto program



# BEAMZ

**YOUR FUTURE  
YOUR SKILLS  
YOUR PLATFORM  
YOUR PARTY  
YOUR EVENT**



is a leading developer of lighting products, including intelligent DMX moving heads, wireless battery operated DMX effects, static washes, sound-activated club effects, strobes & blacklights, LED lighting, fog and special effects machines, lasers and indoor and outdoor architectural lighting, as well as lighting controllers and protective bags.

